

SAFETY INFORMATION

Released Date: 2024-07-15

Please read and understand this entire manual before attempting to assemble, install or operate the product.

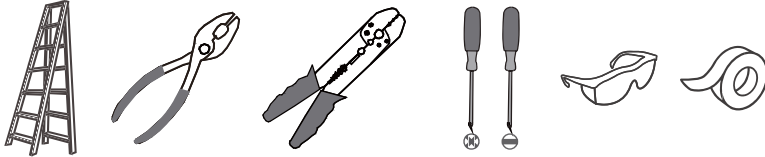
WARNING

- RISK OF ELECTRIC SHOCK - Before beginning installation, turn off electricity at the circuit breaker box or the main fuse box.
- RISK OF FIRE - Use bulbs specified by the markings and/or labels on the fixture.

CAUTION

- For your safety, read instructions completely before beginning installation.
- If in doubt about electrical installation, consult a licensed electrician.
- Turn off electricity to fixture before replacing the bulb(s).

TOOLS REQUIRED

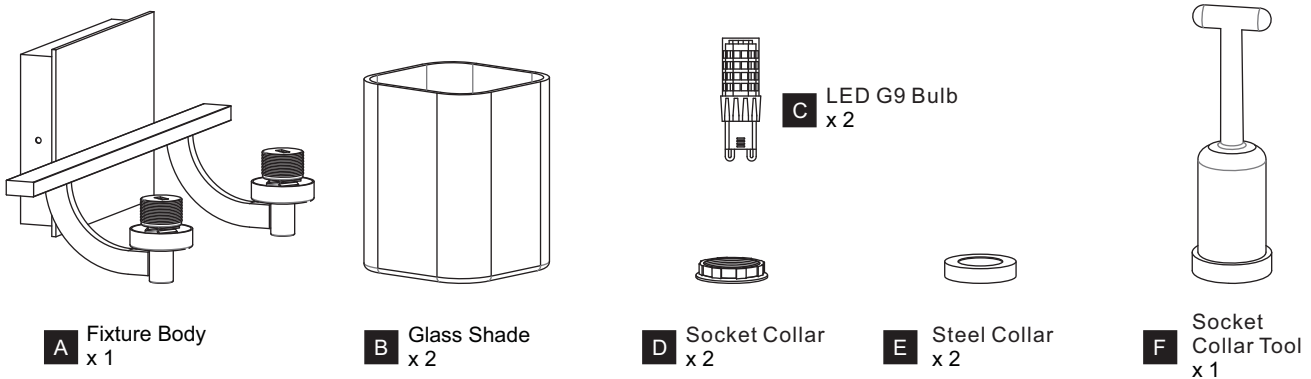


CARE AND MAINTENANCE

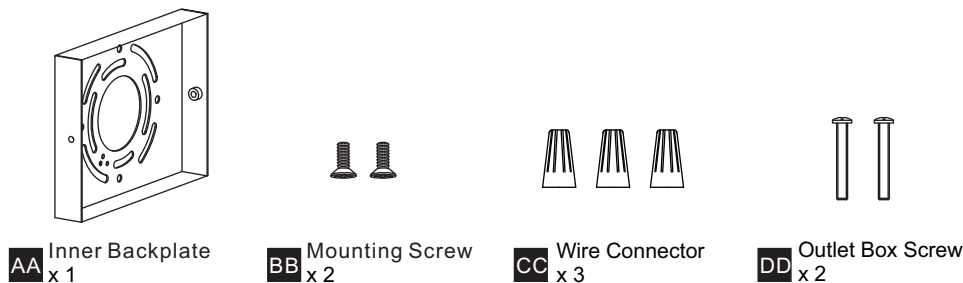
- Glass shade is delicate, care should be taken when handling and installing.
- When securing the shade, do not over tighten the socket collar or possible cracks may occur in the glass.
- The glass shade may loosen over time, please periodically check the socket collar without over-tightening.
- Wipe clean using soft, dry cloth or static duster. Always avoid using harsh chemicals and abrasives to clean fixture as they may damage the finish.

If you need further assistance call Quozel Customer Care at 1-800-645-3184 (9:00am - 5:00pm EST), or visit us on-line at www.quezel.com.

PACKAGE CONTENTS

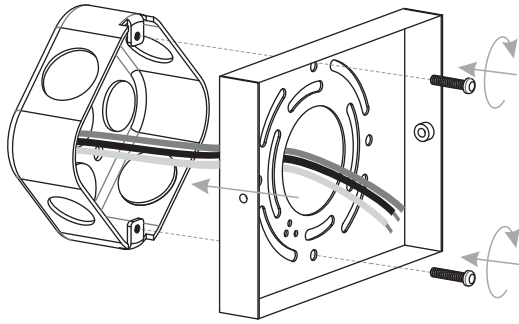


MOUNTING HARDWARE

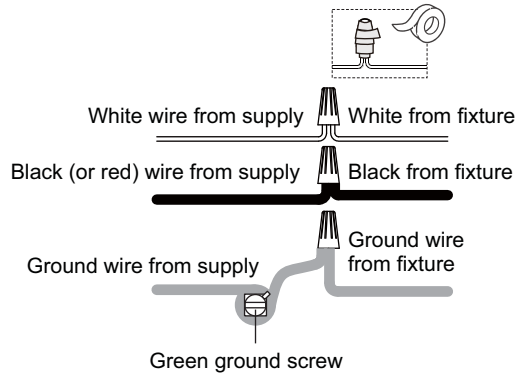


INSTALLATION

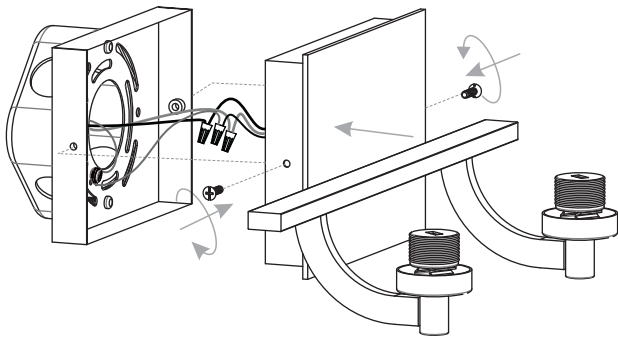
1 Install Inner Backplate



2 Wiring



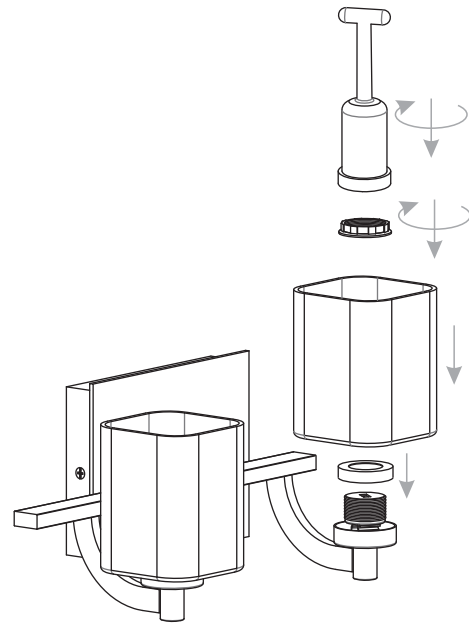
3 Install Fixture Body



4 Install Glass Shades

Note:

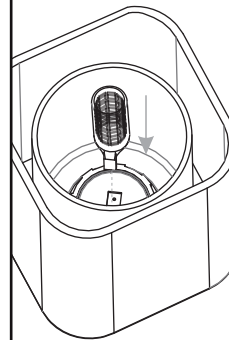
1. Glass shade is delicate. Handle the glass shade carefully.
2. Do NOT over-tighten the socket collar or possible cracks may occur in the glass.



5 Install Bulbs

Install two G9 LED bulbs referring to fixture markings and/or labels for maximum wattage.

Recommended Bulb type (included):



BULB BASE TYPE
G9 Base

BULB TYPE
TYPE G9 LED
4.5W
MAX

Your installation is now complete! Restore electricity and save this sheet for future reference.